

SET-UP SHEET

XRAY XB8

RACE: **BASIC SET-UP**

TRACK: _____

NAME: _____

CITY / COUNTRY: _____

CONTACT: _____

DATE: _____

TEMPERATURE AIR: _____ TEMPERATURE TRACK: _____

LAPS: _____ FINAL POSITION: _____ BEST LAP TIME: _____ RACE LENGTH: _____

/sec /min

TRACKS

SIZE: OPEN MEDIUM TIGHT

TRACTION: LOW MEDIUM HIGH

SURFACE: SMOOTH MEDIUM BUMPY

TYPE: HARD PACKED SOFT DIRT CLAY
 BLUE GROVE ASTRO TURF GRASS

CONDITION: DRY DUSTY WET MUD

DIFFERENTIAL

	FRONT	CENTER	REAR
TYPE			
OIL	5000	5000	2000

GEARING

CLUTCH BELL	13	/T	46	/T	SPUR GEAR
PINION	14	/T	46	/T	CROWN GEAR
SHOE	ALU		MEDIUM		SPRING

SHOCKS

FRONT	REAR
3 STRIPES	2 STRIPES
550 /cSt	400 /cSt
REBOUND: _____ %	REBOUND: _____ %
PISTONS: 6 HOLES	PISTONS: 6 HOLES
8 HOLES	8 HOLES
10 HOLES	10 HOLES

ANTI ROLL BAR

FRONT: 2.4 /mm THICKNESS REAR: 2.6 /mm

TIRES

FRONT	REAR
TYPE	
INSERTS	
WHEELS	

ENGINE

TYPE: _____

MUFFLER: _____

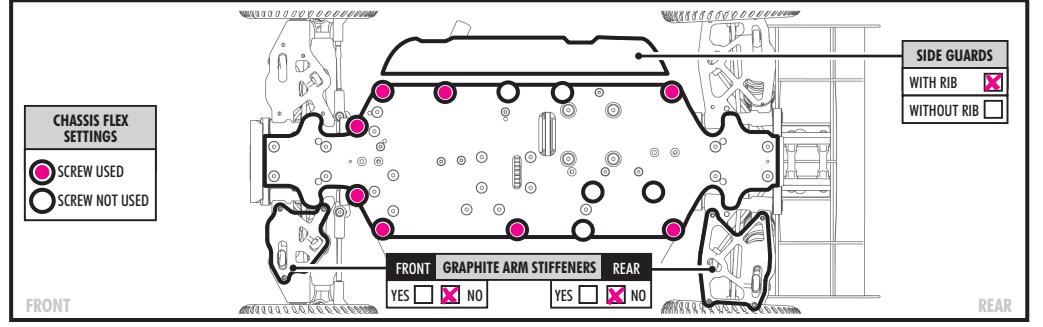
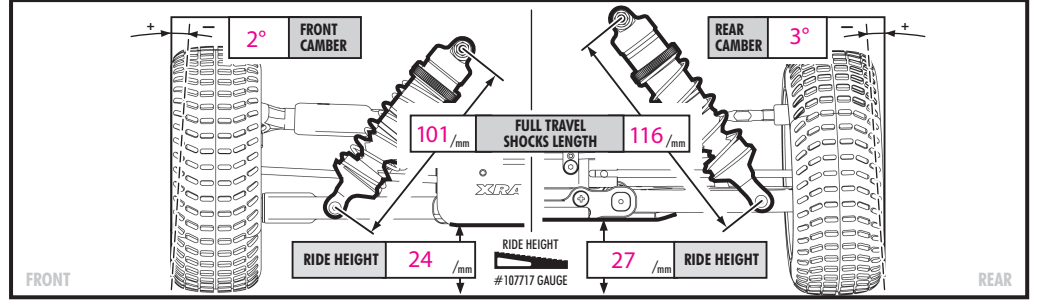
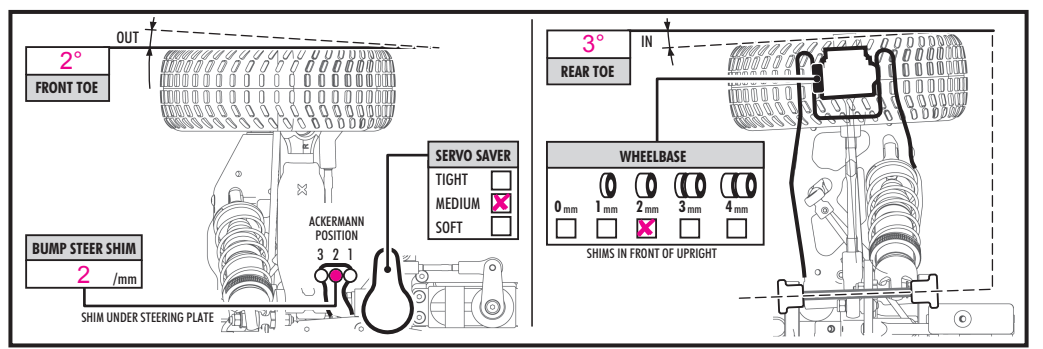
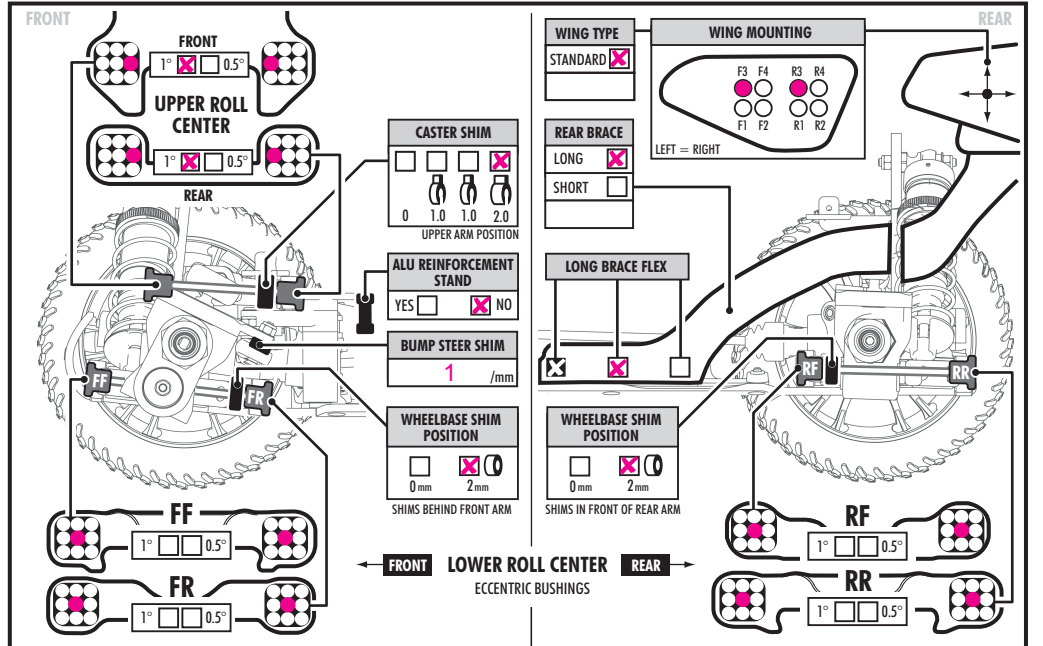
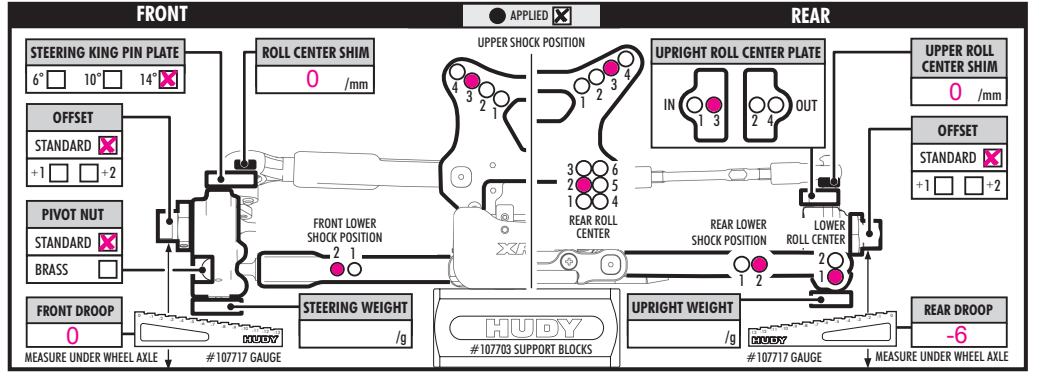
MANIFOLD: _____

PLUG: _____

FUEL: _____

BODY

TYPE: **XRAY XB8**



COMMENTS: _____